

Data Logger C 70



The data logger C 70 integrates a programmable data logging system for motorsport applications for a very competitive price. Additional input devices can be connected via Ethernet and CAN buses. Data Analysis Software WinDarab is available free of charge as “WinDarab V7 free” on our website. The logger can be upgraded to a 2nd logging partition of 4 GB (e.g. for long term recording). For quick data transfer from the car e.g. during pit stop, data copy to a USB stick is available as an option. The stick is connected to the wiring harness for the C 70. The device comes with 4 analog and 4 speed inputs as standard; further 12 analog inputs are available as optional upgrade.

Application

Processor	667 MHz Dual Core
Converters	10 kHz 12 bit AD converters with digital low pass filter
Internal power source	Li/Ion capacitor
Configurable math channels	
User configurable CAN in/out messages	
Online data compression	
Internal logger	
• 4 GB memory on Partition 1 enabled	
• 1,500 channels enabled	
• 1 ms sampling rate enabled	
• FULL_LOG_2 (4 GB memory on Partition 2) optional	
• DATA_USB (Data copy to USB flash drive) optional	
Logging rates	
• Usage of all features: 600 kB/s	
• Primary logging use case: >1,200 kB/s	

- ▶ Cutting-edge 667 MHz Dual Core Processor
- ▶ Recording on USB flash drive (opt.)
- ▶ Supports GPS lap trigger, pre-dated lap time etc.
- ▶ High programming flexibility using mathematical functions and conditional channels

- Logging data download rate: up to 6.2 MB/s
- LTE Ethernet telemetry support, GSM telemetry support

Technical Specifications

Mechanical Data

Size	151 x 126 x 25.5 mm
Weight	450 g
Protection Classification	IP54 to DIN 40050, Section 9, Issue 2008
Operating temperature internal	-20 to 85°C
Max. vibration	Vibration profile 1 (see Downloads or www.bosch-motorsport.com)

Electrical Data

Supply voltage	5 to 18 V
----------------	-----------

Inputs

4 x analog channels, additional 12 optional
0 to 5 V input range
12 bit resolution
switchable pull up resistor for all ANA_IN
4 x Hall-effect or DF11 wheel speed inputs, switchable

Sensor Supplies and Screens

2 x Sensor supply 5 V ± 1 % (250 mA)
1 x Sensor supply 10 V ± 1 % (250 mA)
1 x Sensor supply U_Bat (250 mA)
4 x Sensor ground

Connectors and Wires

Motorsport connector on logger	AS216-35PN
Mating connector AS616-35SN	F02U.000.466-01

Pin Configuration

Pin	Name	Comment	Status
1	KL_31		Incl.
2	KL_15		Incl.
3	KL_30		Incl.
4	Rev_In_3	Hall or DF11 switchable	Incl.
5	Rev_In_1	Hall or DF11 switchable	Incl.
6	KL_31		Incl.
7	CAN_2_L	CAN speed selectable	Incl.
8	Ethernet_2_TXP		Incl.
9	Ethernet_2_TXN		Incl.
10	Sens_Power_12V	over current protected	Incl.
11	Rev_In_4	Hall or DF11 switchable	Incl.
12	Rev_In_2	Hall or DF11 switchable	Incl.
13	Laptrigger_In		Incl.
14	CAN_2_H	CAN speed selectable	Incl.
15	CAN_1_H	CAN speed selectable	Incl.
16	Ethernet_2_RXP		Incl.
17	Sens_Gnd_4	fused	Incl.
18	Sens_Power_5V	over current protected	Incl.
19	ANA_IN_3	3.01 kOhm switchable	Incl.
20	ANA_IN_4	3.01 kOhm switchable	Incl.
21	Time_Sync	connection to Bosch ECU	Incl.
22	CAN_1_L	CAN speed selectable	Incl.
23	Com_screen	Ethernet and USB screen	Incl.
24	Ethernet_2_RXN		Incl.
25	Sens_Gnd_3	fused	Incl.
26	Sens_Power_5V	over current protected	Incl.
27	ANA_IN_7	3.01 kOhm switchable	Opt.
28	ANA_IN_1	3.01 kOhm switchable	Incl.
29	USB_Device_DP	to Bosch USB stick	Opt.
30	RS232_TX_Telemetry	Transmit Telemetry data	Incl.
31	Ethernet_1_TXP		Incl.
32	Sens_Gnd_2	fused	Incl.
33	Sens_Power_10V	over current protected	Incl.
34	ANA_IN_8	3.01 kOhm switchable	Opt.

Pin	Name	Comment	Status
35	ANA_IN_10	3.01 kOhm switchable	Opt.
36	USB_Device_Gnd	to Bosch USB stick	Opt.
37	USB_Device_DN	to Bosch USB stick	Opt.
38	RS232_RX_Telemetry	Receive Telemetry data	Incl.
39	Ethernet_1_TXN		Incl.
40	Sens_Gnd_1	fused	Incl.
41	ANA_IN_11	3.01 kOhm switchable	Opt.
42	ANA_IN_9	3.01 kOhm switchable	Opt.
43	RS232_TX_GPS	Transmit GPS data	Incl.
44	ANA_IN_16	3.01 kOhm switchable	Opt.
45	USB_Device_Power	to Bosch USB stick	Opt.
46	Ethernet_1_RXP		Incl.
47	ANA_IN_12	3.01 kOhm switchable	Opt.
48	ANA_IN_6	3.01 kOhm switchable	Opt.
49	ANA_IN_2	3.01 kOhm switchable	Incl.
50	ANA_IN_13	3.01 kOhm switchable	Opt.
51	ANA_IN_15	3.01 kOhm switchable	Opt.
52	Ethernet_1_RXN		Incl.
53	ANA_IN_5	3.01 kOhm switchable	Opt.
54	RS232_RX_GPS	Receive GPS data	Incl.
55	ANA_IN_14	3.01 kOhm switchable	Opt.

Communication

CAN interfaces	2
Ethernet 100BaseT	2
Laptrigger input	1
RS232	Telemetry, GPS
Configuration via RaceCon	Over Ethernet or MSA-Box II

Installation Notes

Maintenance Interval: 220 h or a maximum of two years

Legal Restrictions

The sale of this product in Mexico is prohibited. Due to embargo restrictions, sale of this product in Russia, Belarus, Iran, Syria, and North Korea is prohibited.

Upgrades

CCP/XCP_MASTER

Enables CCP/XCP master functionality to request data from foreign devices via CAN/CCP protocol or XCP over Ethernet (UDP). (ASAP2 file from ECU manufacturer required)

FULL_LOG_2

4 GB memory on Partition 2

IO_EXTENS

Additional 12 analog input channels

DATA_USB

Data copy to USB flash drive

Ordering Information

Data Logger C 70

Order number **F02U.V02.302-02**

Rugged USB flash drive

Order number **F02U.V03.534-01**

Connector for USB flash drive on car loom side

Order number **F02U.002.996-01**

Adapter cable to PC USB-Port

Order number **F02U.V01.343-01**

Software Options

CCP/XCP_MASTER

Order number **F02U.V02.213-01**

FULL_LOG_2

Order number **F02U.V02.305-01**

IO_EXTENS

Order number **F02U.V02.205-01**

DATA_USB

Order number **F02U.V03.476-01**

Accessories

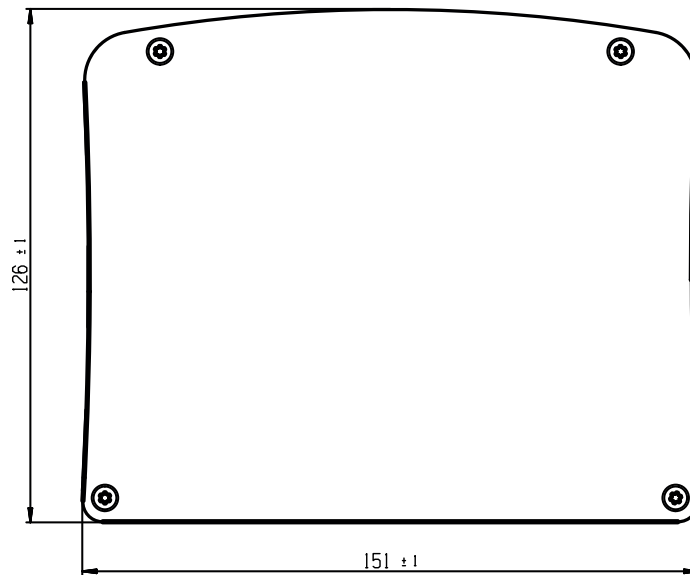
Vehicle Loom Basic

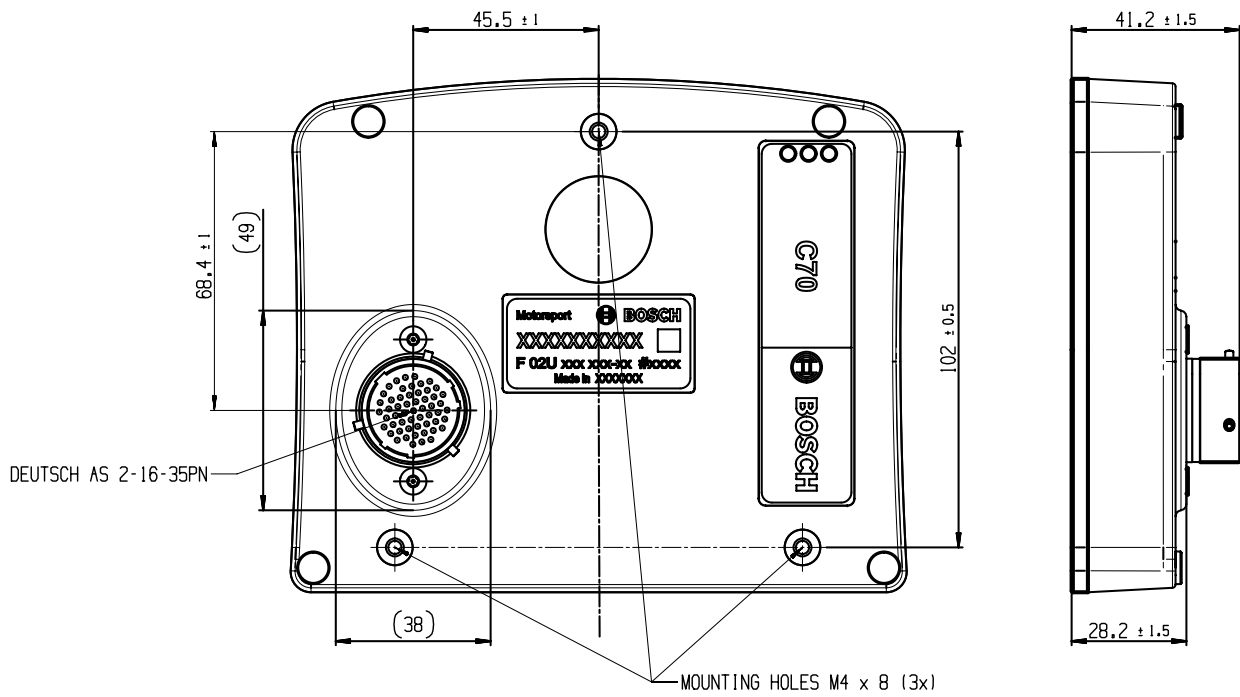
Order number **F02U.V02.735-01**

Bench Loom

Order number **F02U.V02.349-01**

Dimensions





Represented by:

Europe:
 Bosch Engineering GmbH
 Motorsport
 Robert-Bosch-Allee 1
 74232 Abstatt
 Germany
 Tel.: +49 7062 911 9101
 Fax: +49 7062 911 79104
 motorsport@bosch.com
 www.bosch-motorsport.de

North America:
 Bosch Engineering North America
 Motorsport
 38000 Hills Tech Drive
 Farmington Hills, MI 48331-3417
 United States of America
 Tel.: +1 248 876 2977
 Fax: +1 248 876 7373
 motorsport@bosch.com
 www.bosch-motorsport.com

Asia-Pacific:
 Bosch Engineering Japan K.K.
 Motorsports Department
 1-9-32 Nakagawachuo, Tsuzuki-ku
 Yokohama-shi
 Kanagawa, 224-8601
 Japan
 Tel.: +81 45 605 3032
 Fax: +81 45 605 3059
 www.bosch-motorsport.jp

Australia, New Zealand and South Africa:
 Robert Bosch Pty. Ltd
 Motorsport
 1555 Centre Road
 Clayton, Victoria, 3168
 Australia
 Tel.: +61 (3) 9541 3901
 motor.sport@au.bosch.com